



BT9370

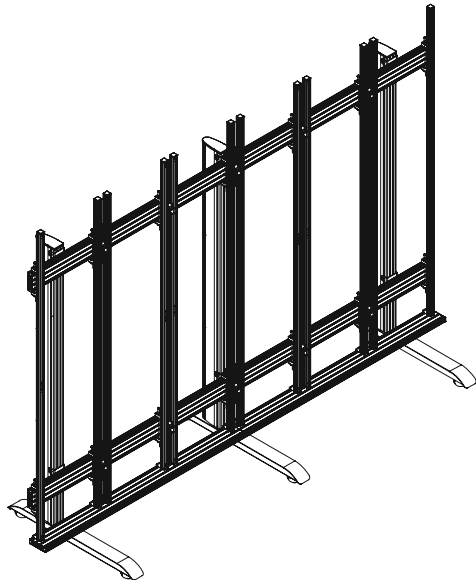
SYSTEM X™

LED VIDEOWALL STAND

INSTALLATION GUIDE & PARTS LIST

This Pack Contains 1 Stand

PLEASE KEEP THIS FOR FUTURE REFERENCE



FEATURES

- Options for front or rear access panels
- Assembled from off-the-shelf components
- Open frame allows panel access for easy servicing and maintenance
- Keyhole mounting for rear access panels allows safe and secure installation of large scale LED video walls
- Includes adjustable levelling feet
- All mounting hardware included

CONTENTS

Installation Safety Notes.....	2
Parts List.....	4
Installation Instructions.....	6
B-Tech Contact Details.....	16

INSTALLATION TOOLS REQUIRED

Flathead & crosshead screwdriver



Level



Knife



B-TECH AV MOUNTS

www.btechavmounts.com

INSTALLATION SAFETY INSTRUCTIONS



CAUTION: This stand / trolley is intended for use only with the maximum weights indicated. Use with flat screens heavier than the maximum indicated may result in instability causing possible injury.

Do not attempt to install this product until all instructions and warnings have been read and properly understood. Please keep these instructions for future reference. Please check carefully to make sure there are no missing or defective parts - defective parts must never be used. B-Tech International Design & Manufacturing Ltd, its distributors and dealers are not liable or responsible for damage or injury caused by improper installation, improper use or failure to observe these safety instructions. In such cases, all guarantees will expire.

General

Great care must always be taken during installation as most AV equipment is of a fragile nature, possibly heavy and easily damaged if dropped. If you do not fully understand the instructions or are not sure how to install this product safely, then please consult a professional for advice and/or to install this product for you. Failure to mount this product correctly may cause serious injury or death both during installation and at any time thereafter. Do not mount any AV equipment that exceeds the specific weight limit of the product you are installing. This weight limit will be clearly stated on each product and its packaging and will vary from product to product.

Product location

Please pay careful attention to where this product is located, some locations are not suitable for installation. For indoor use only. Install stand on level ground. When verifying the stability of the structure, consider the following external factors: The strength of the floor, exposure to sudden and severe wind and danger arising from contact with people and / or objects (eg installations in passageways, emergency exits), if located in a public or frequently populated area ensure that the product is out of the immediate reach of people.

Fixing hardware

It is highly recommended that all fixing screws be used where supplied and that the purpose of all other fixing hardware is fully understood. In some cases more AV equipment fixing hardware will be supplied to accommodate different models of equipment and set up configurations. The installer must be satisfied that any supplied fixing hardware is suitable for each specific installation. If any fixing screws or included hardware are deemed not sufficient for a safe installation then please consult a professional or your local hardware store.

Hazard limitation

When routing cables take advantage of any built in cable management features that the product might provide and ensure that all cables are tidy and secure. Check to see that any moving aspect of the product can do so unhindered by any cabling. Some products have moving parts and the potential to cause injury through the crushing or trapping of fingers or other body parts. Particular attention to the nature of moving parts is required especially when assembling installing and adjusting during set up. Immediately after installations double-check that the work done is safe and secure. Double-check all necessary fixings are present and are of ample tightness. It is recommended that periodic inspections of the product and its fixing points are made as frequently as possible to ensure that safety is maintained. If in doubt consult a professional AV installer or other suitably qualified person.

CS

Společnost B-Tech International Design And Manufacturing Ltd. doporučuje provést instalaci tohoto produktu instalátora AV či jinak způsobilé osoby. Společnost B-Tech International Design And Manufacturing Ltd, její distributoři a prodejci nenesou prostřednictvím odborného odpov. édnost za škody nebo zranění způsobená nevhodnou instalací. Tento výrobek je nutno umístit do vhodné konstrukce a používat jen po uvedené maximální výšce.

DE

B-Tech International Design And Manufacturing Ltd. empfiehlt, dass dieses Produkt durch einen qualifizierten AV-Techniker oder eine andere Person mit geeigneter Qualifikation installiert wird. B-Tech International Design And Manufacturing Ltd, ihre Distributoren und Händler können nicht für durch fehlerhafte Montage verursachte Beschädigung oder Verletzung haftbar bzw. verantwortlich gemacht werden. Dieses Produkt muss auf eine geeignetem Untergrund montiert werden und darf nur bis zum angegebenen Höchstgewicht verwendet werden.

ES

B-Tech International Design And Manufacturing Ltd. recomienda que un instalador de audio y video profesional u otra persona debidamente cualificada instalen este producto. B-Tech International Design And Manufacturing Ltd, sus distribuidores y concesionarios no se hacen cargo ni se responsabilizan de ningún daño o lesión provocados por una instalación inadecuada. Este producto se debe montar en una estructura adecuada y se debe utilizar soportando solamente hasta el peso máximo indicado.

FR

B-Tech International Design And Manufacturing Ltd. recommande de confier l'installation de ce produit à un installateur AV professionnel ou à une autre personne dûment qualifiée. B-Tech International Design And Manufacturing Ltd, ses distributeurs et ses revendeurs ne sauraient être tenus responsables de tout dégât ou de toute blessure résultant d'une installation incorrecte. Ce produit doit être monté sur un support approprié et utilisé dans la limite du poids maximum indiqué.

IT

B-Tech International Design And Manufacturing Ltd. consiglia di affidare l'installazione di questo prodotto a un installatore specializzato o ad altra persona adeguatamente qualificata. B-Tech International Design And Manufacturing Ltd, i suoi distributori e rivenditori non accettano alcuna responsabilità nei riguardi di eventuali danni o infortuni causati da un'errata installazione. Questo prodotto deve essere fissato a una struttura idonea e utilizzato unicamente sino al peso massimo indicato.

NL

B-Tech International Design And Manufacturing Ltd. adviseert om dit product te laten installeren door een professionele AV-instalateur of andere hiervoor gekwalificeerde persoon. B-Tech International Design And Manufacturing Ltd, haar distributeurs en dealers zijn niet aansprakelijk of verantwoordelijk voor schade of letsel die is veroorzaakt door onoordeelkundige installatie. Dit product moet worden gemonteerd aan een geschikte constructie, waarbij het aangegeven maximum gewicht niet mag worden overschreden.

PL

Firma B-Tech International Design And Manufacturing Ltd. zaleca, aby ten produkt był instalowany przez profesjonalnych instalatorów AV lub inny odpowiednio przeszkolony personel. Firma B-Tech International Design And Manufacturing Ltd, jej dystrybutorzy i dealerzy nie ponoszą odpowiedzialności za uszkodzenia lub obrażenia ciała powstałe w wyniku nieprawidłowej instalacji. Niniejszy produkt musi być zamontowany na odpowiedniej powierzchni, a podczas u żytkowania nie wolno przekraczać podanego maksymalnego obciążenia.

PT

A B-Tech International Design And Manufacturing Ltd. recomenda que a instalação deste produto seja efectuada por um instalador de AV instalador de AV profissional ou outra pessoa devidamente habilitada. A B-Tech International Design And Manufacturing Ltd. e os seus distribuidores e concessionários não são responsáveis por danos ou lesões causados por uma instalação incorrecta. Este produto tem de ser montado numa estrutura adequada e utilizado somente até ao peso máximo indicado.

RU

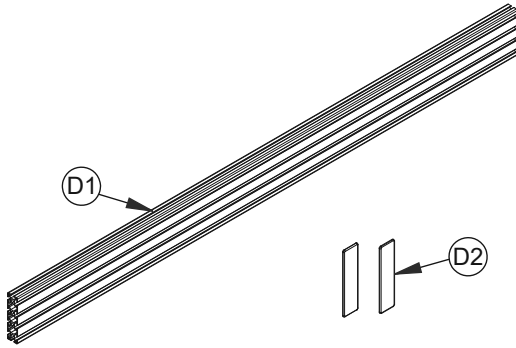
Компания B-Tech International Design And Manufacturing Ltd. рекомендует, чтобы установка данного изделия производилась инженером по установке аудио-видеотехники или другим специалистом с соответствующей квалификацией. Компания B-Tech International Design And Manufacturing Ltd. ее дистрибьюторы и дилеры не несут ответственности за повреждения или травмы, полученные в результате неправильной установки. Данное изделие должно

توصي بي- تك للتجارة الدولية المحدودة بأن شخص محترف في تركيب ال AV أو شخص مؤهل تأهيلا مناسباً لتركيب هذا المنتج. بي- تك للتجارة الدولية، موز عليها والتجار ليست عرضة أو مسؤولة عن الأضرار أو الإصابات الناجمة عن تركيب غير سليم، والاستخدام غير السليم أو عدم مراعاة هذه التعليمات للسلامة. يجب أن يتم تركيب هذا المنتج في بنية مناسبة ويجب استخدام فقط لدعم الحد الأقصى للوزن المشار إليه.

BT9370 PARTS LIST

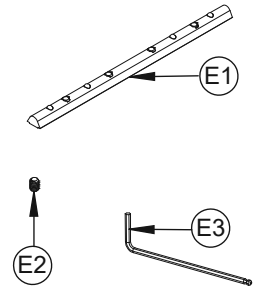
Ⓓ MOUNTING RAIL

BT8390



Ⓔ EXTENSION BARS

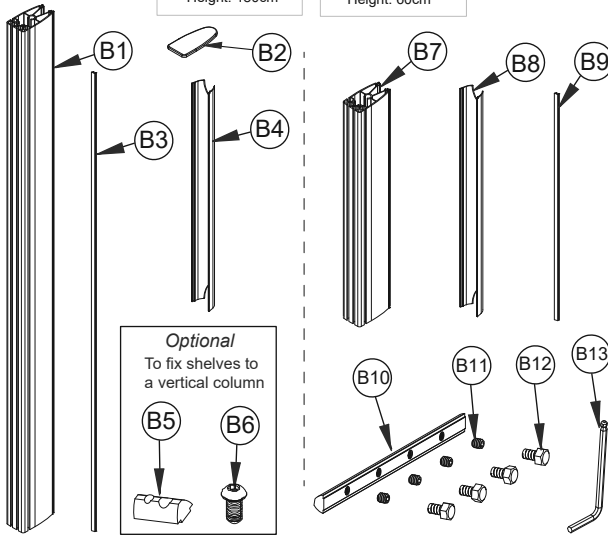
BT8390-EXT



Ⓑ COLUMN

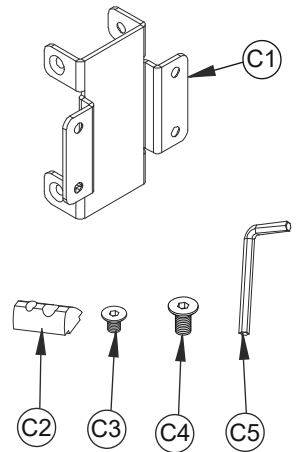
BT8380-180
Height: 180cm

BT8380-060
Height: 60cm



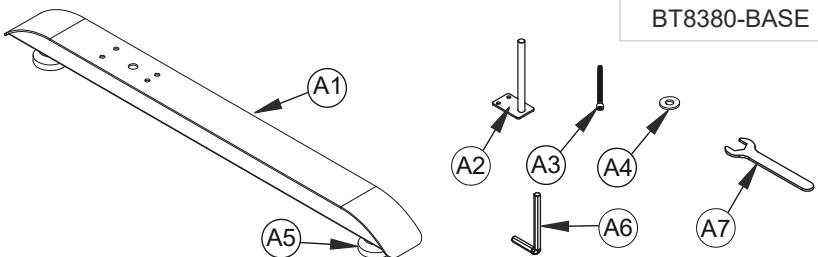
Ⓒ JOINING PLATE

BT8380-JPK

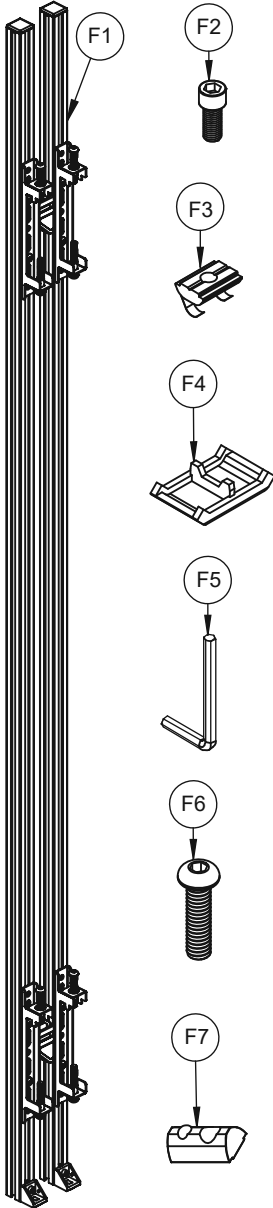


Ⓐ BASE

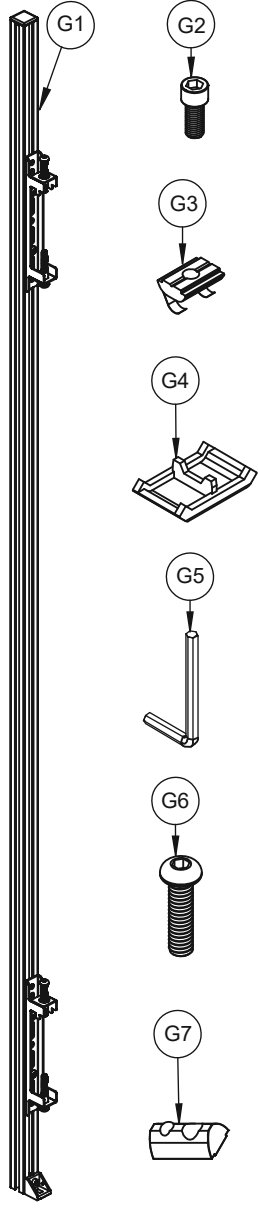
BT8380-BASE



F INNER INTERFACE ARM



G OUTER INTERFACE ARM



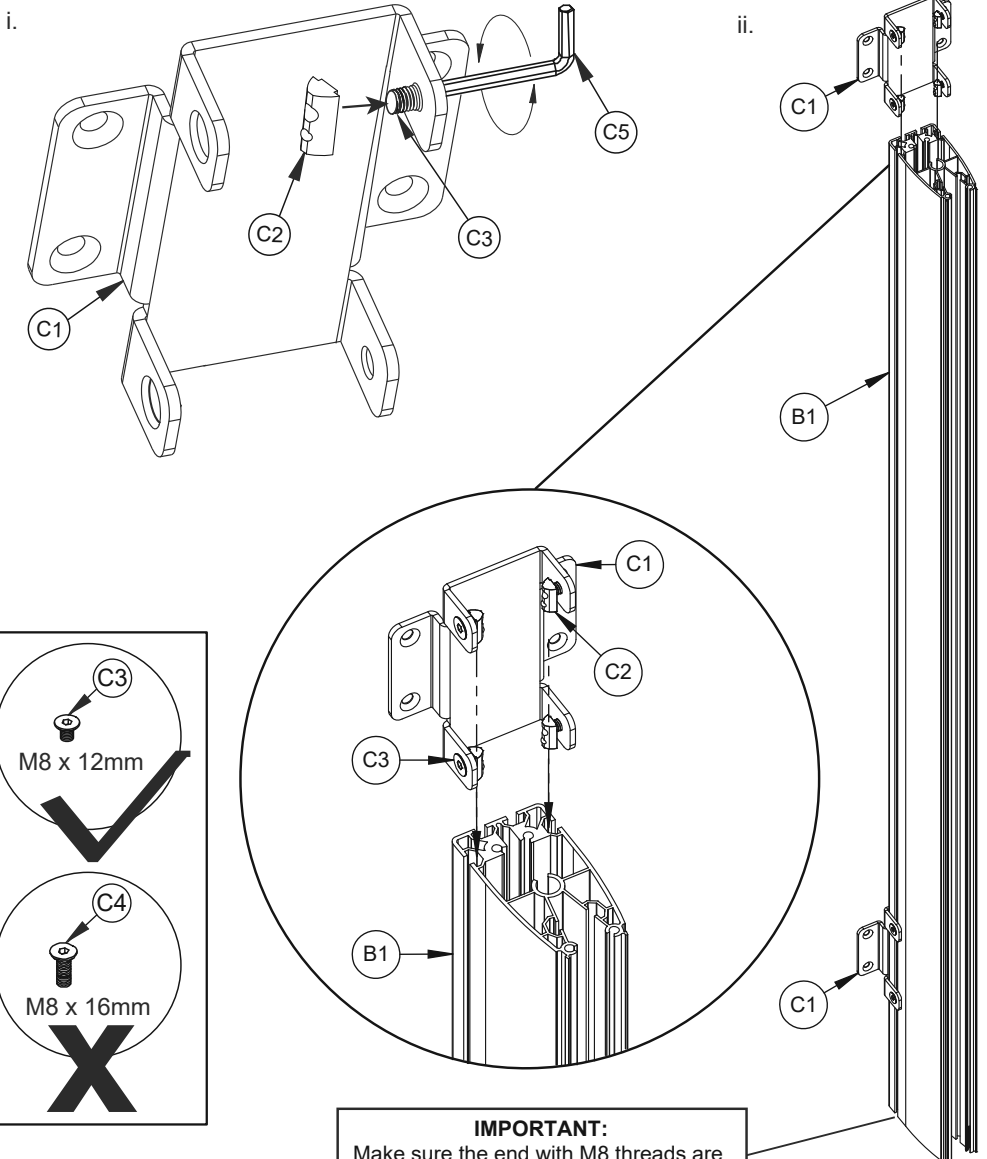
PLEASE KEEP THIS FOR FUTURE REFERENCE

BASE		
REF	PART NAME	QTY PER PACK
A1	BASE	1
A2	SUPPORT STEM	1
A3	M8 x 90mm SCREW	4
A4	M8 WASHER	4
A5	LEVELLING FOOT	2
A6	6AF HEX KEY	1
A7	24mm SPANNER	1
COLUMN		
ITEM	PART NAME	QTY PER PACK
B1	180cm COLUMN	1
B2	END CAP	1
B3	180cm PLASTIC SLOT INSERT	4
B4	CABLE COVER	3
B5	M8 SLIDING NUT	2
B6	M8 x 12mm SCREW	2
B7	60cm COLUMN	1
B8	CABLE COVER	1
B9	60cm PLASTIC SLOT INSERT	4
B10	COLUMN JOINER	4
B11	GRUB SCREW	16
B12	HEX BOLT	8
B13	3AF HEX KEY	1
JOINING KIT		
ITEM	PART NAME	QTY PER PACK
C1	JOINING PLATE	1
C2	M8 SLIDING NUT	8
C3	M8 x 12mm SCREW	8
C4	M8 x 16mm SCREW	4
C5	5AF HEX KEY	1
MOUNTING RAIL		
ITEM	PART NAME	QTY PER PACK
D1	MOUNTING RAIL	1
D2	END CAP	2
EXTENSION KIT		
ITEM	PART NAME	QTY PER PACK
E1	JOINING BAR	6
E2	M6 x 8mm GRUB SCREW	8
E3	3AF HEX KEY	1
INTERFACE KIT		
ITEM	PART NAME	QTY PER PACK
F1	INNER INTERFACE ARM	1
F2	M6 x 14mm HEX SCREW	2
F3	M6 SLIDING NUT	2
F4	CORNER BRACKET CAP	2
F5	4AF HEX KEY	1
F6	M8 x 30mm HEX SCREW	8
F7	M8 SLIDING NUT	8
ITEM	PART NAME	QTY PER PACK
G1	OUTER INTERFACE ARM	1
G2	M6 x 14mm HEX SCREW	3
G3	M6 SLIDING NUT	3
G4	CORNER BRACKET CAP	1
G5	4AF HEX KEY	1
G6	M8 x 30mm HEX SCREW	4
G7	M8 SLIDING NUT	4
BESPOKE LED FIXING KIT		

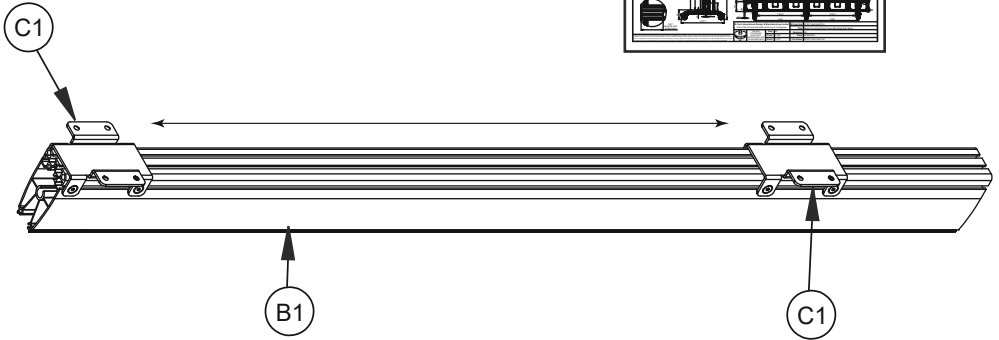
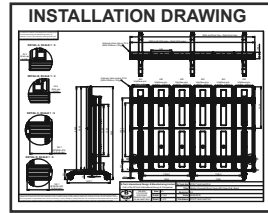
INSTALLATION INSTRUCTIONS

1 Attach Joining Plate to Column

- i. Connect together four item C3 with item C2 onto each item C1 using item C5.
- ii. Lay items E1 on the floor and slide two item C1 onto each item B1.

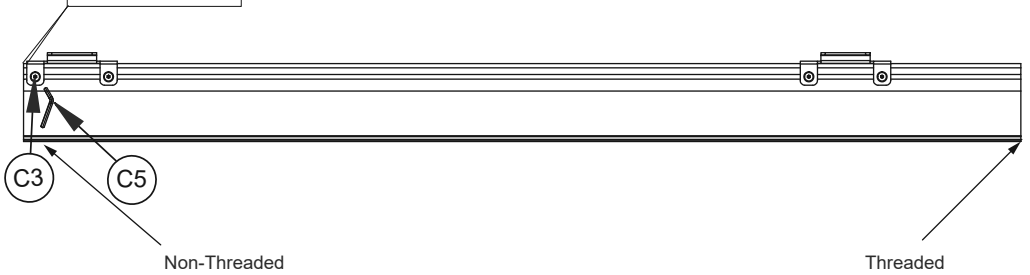


- iii. Use the installation drawing to set the distance for each of the items C1 on item B1.
Once set, tighten all items C3 on C1 with C5.



NOTE:

Leave at least a 5mm gap at top of column for item B2)

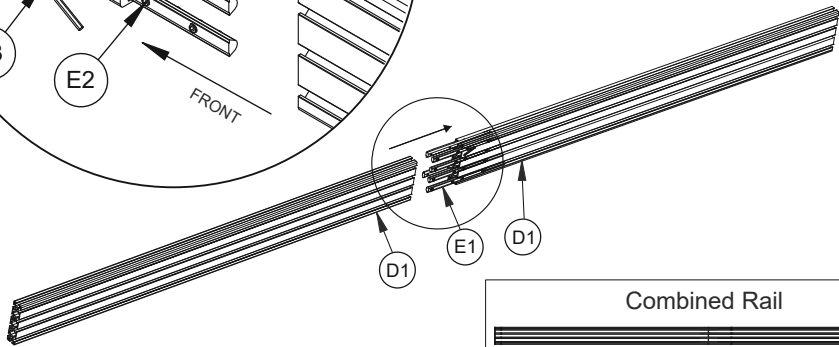
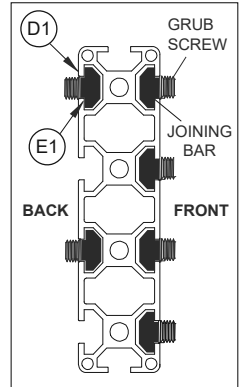
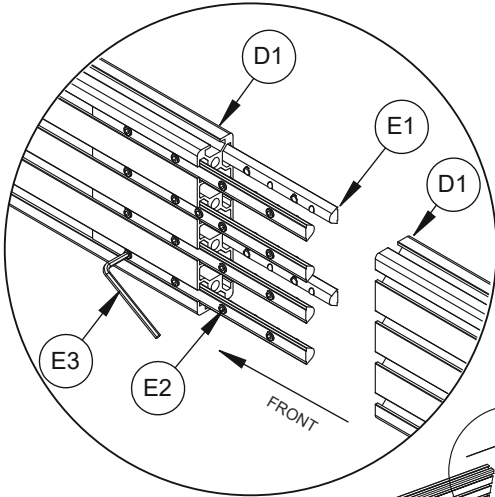


2

Combine 2 Mounting Rails

- i. On the front side of item D1, insert 4 x item E1 half-way into each slot, on the back side insert 1 x item E1 into the top slot and 1 x item E1 into the third slot. Loosely fasten item E2 on each joining bar fixing it to the mounting rail.
- ii. Slide together items D1 onto item E1 and tighten all items E2, combining the two rails securely.

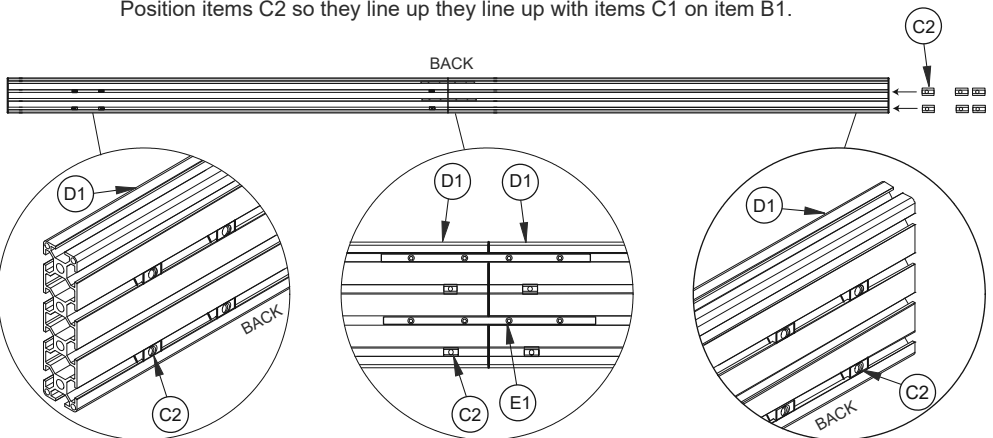
Note: 1 rail will be used as a bottom row ledger.



3

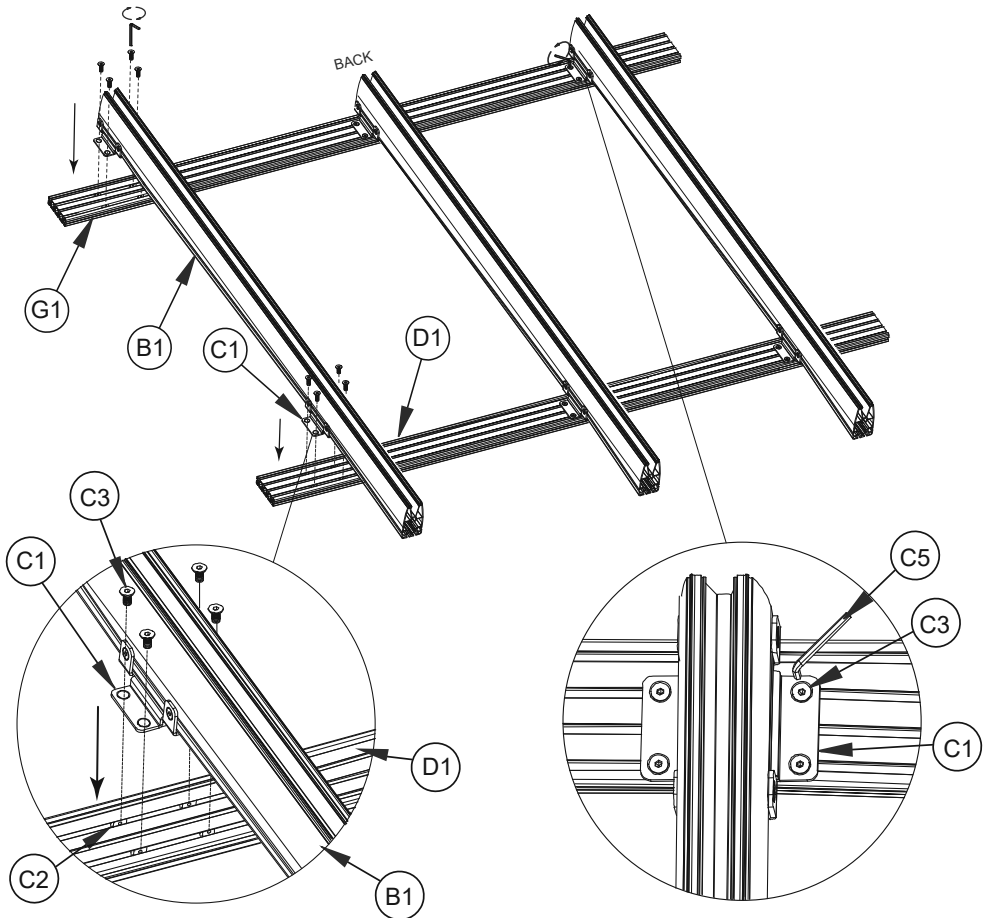
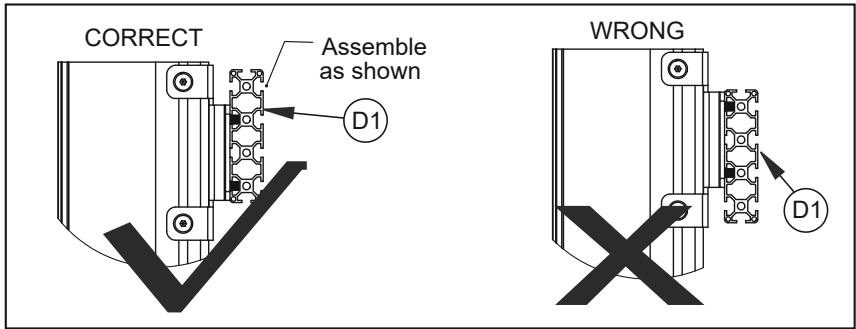
Assembly Rails to Columns

- i. Insert 6 x item C2 into the bottom back slots of two of the combined rails. 6 in the bottom slot and 6 in the second from top slot. Position items C2 so they line up with items C1 on item B1.



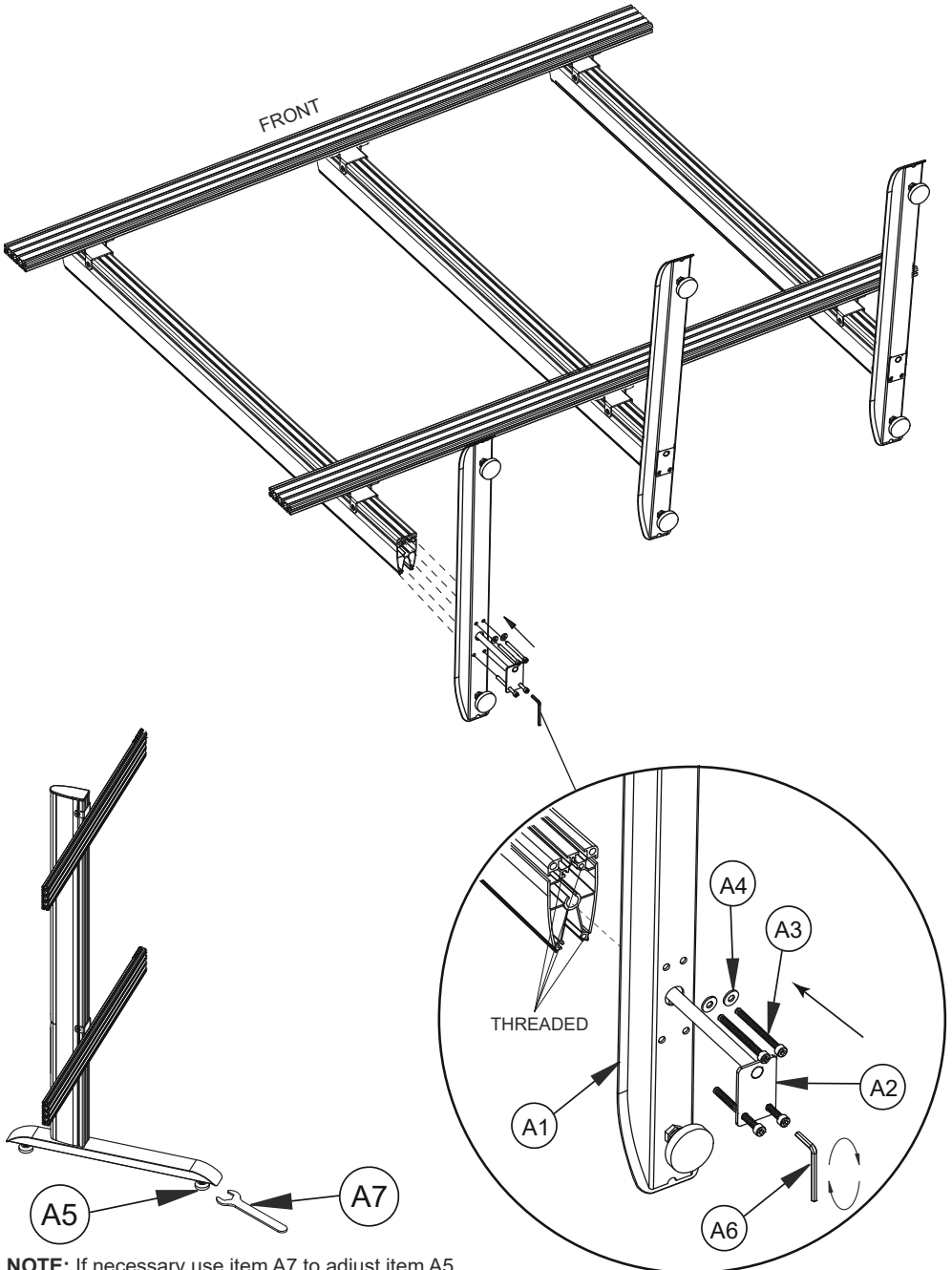
ii. Place 2 x items D1 on the floor. and position 3 x C1 onto items D1 using the installation drawing.

Attach items C1 to items D1 by fastening items C3 to items C2.



Assemble Bases to Columns

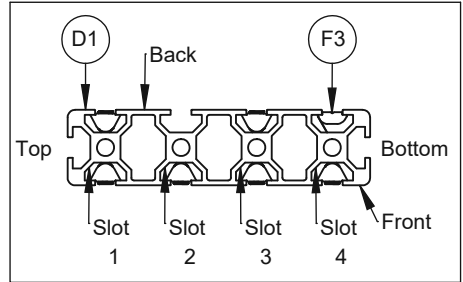
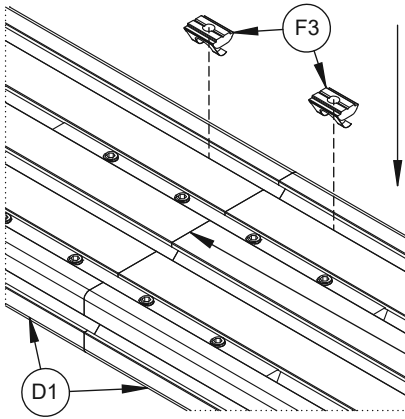
- ii. On the floor, attach item A1 to item B1 using items A2, A3 and A4.
Once bases are fixed, return stand to upright position.



NOTE: If necessary use item A7 to adjust item A5.

Attach Bottom Row Ledger to Interface Arms

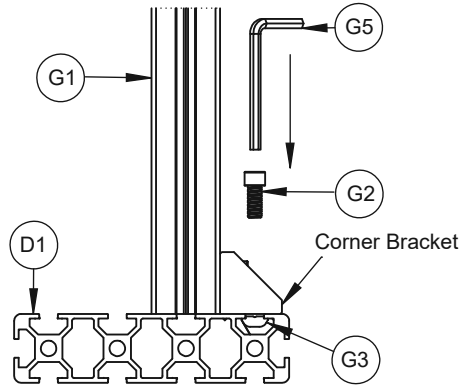
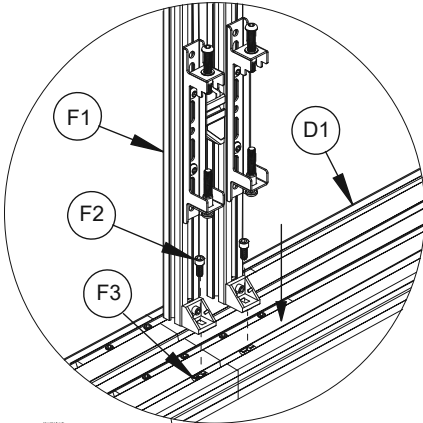
- i. Insert items F3 into the fourth slot of the combined items D1 (Bottom Row Ledger) as close as possible to where the outer edges of items F1 and inner edges of items F2 will be.
- ii. Use the installation drawing to position and semi-fix in place items F1 and G1 onto items D1.



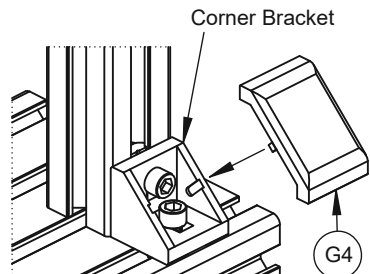
Bottom Row Ledger Centre

- iii. Position the Bottom Row Ledger centre, in-line with the central item F1. Fasten items F2 through the corner bracket into item F3 using item F5. Use the installation drawing to measure where the Bottom Row Ledger and items F1, G1 and D1 must be fixed together to create a horizontal surface.

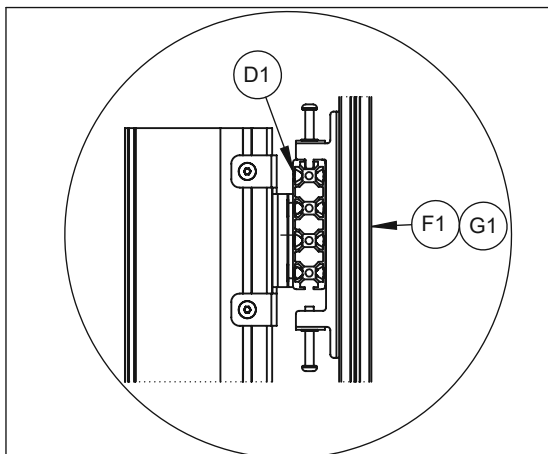
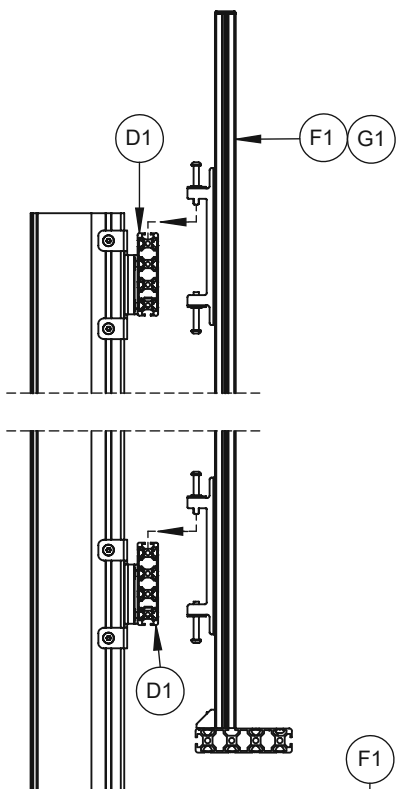
Note: 2 persons maybe be required during installation.



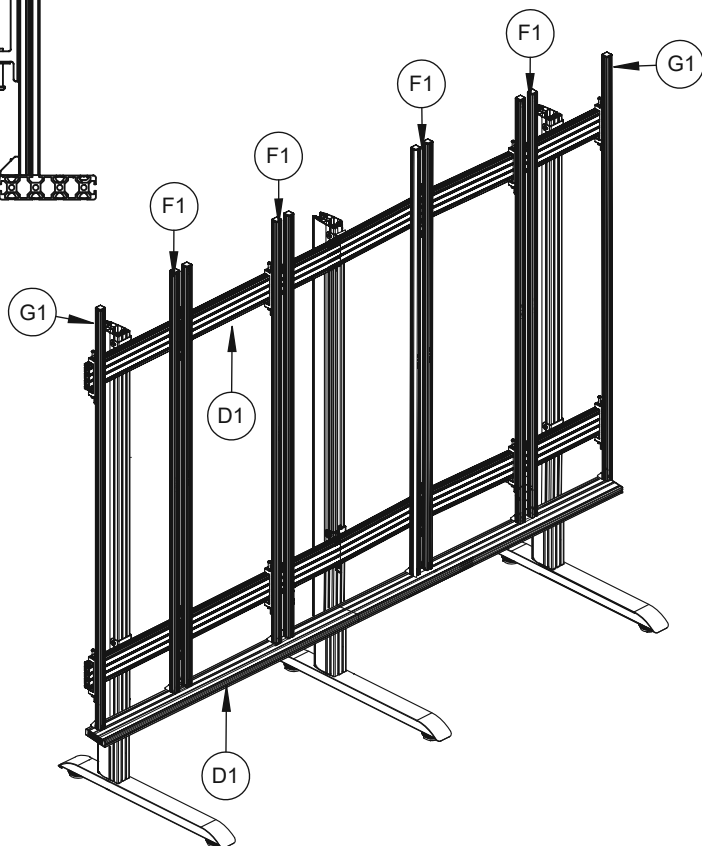
- iv. Once satisfied that the Bottom Row Ledger is perfectly horizontal and fixed in position, push fit items F4/G4 onto each corner bracket.



Hook the Interface Arms onto the Stand

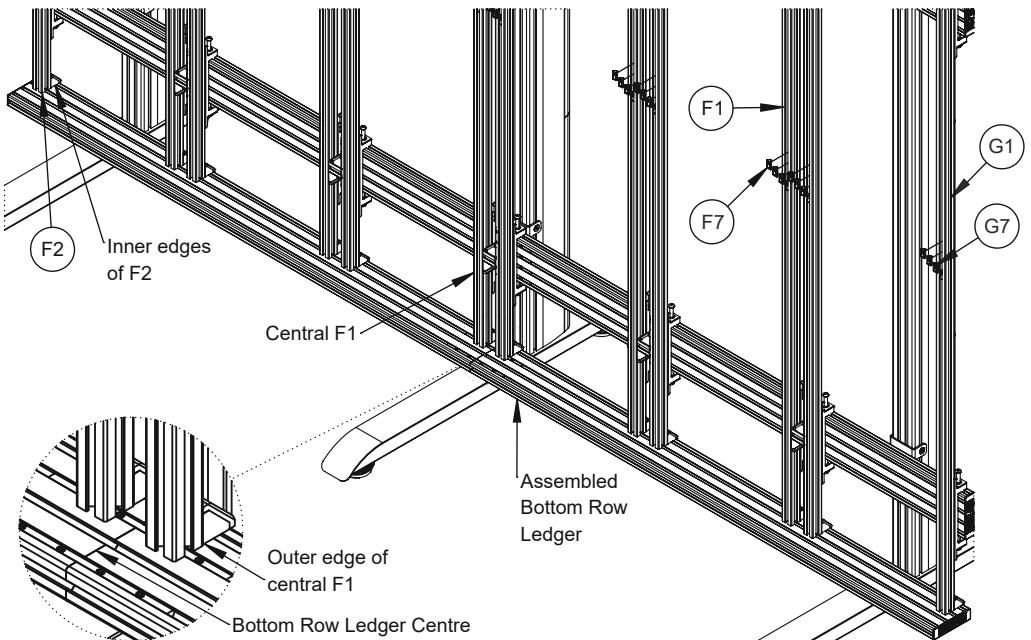
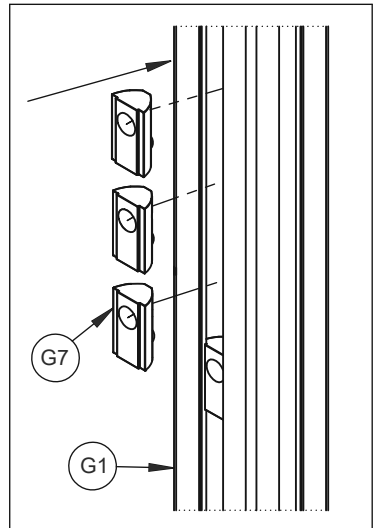
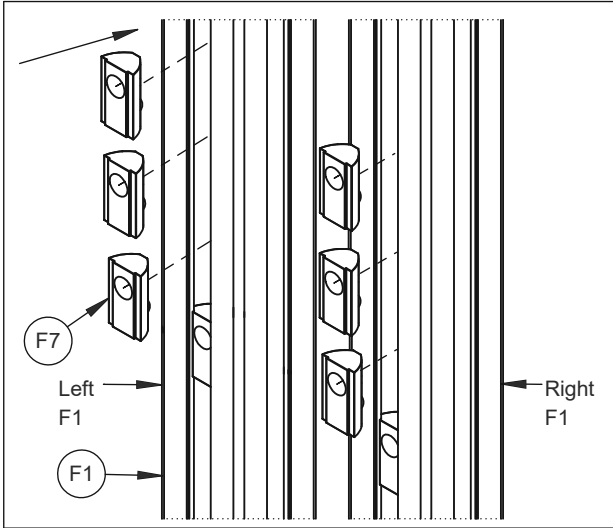


Ensure items F1/G1 are hooked onto items D1 correctly.



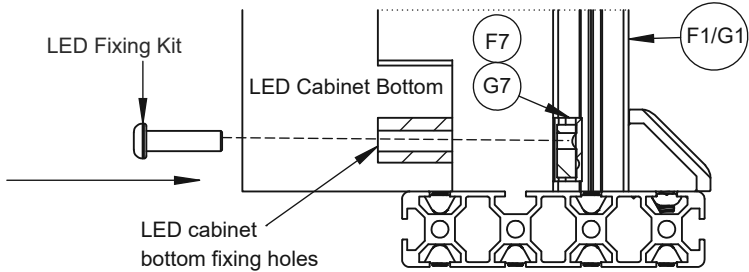
Insert M8 Sliding Nuts into Interface Arms

- i. Insert item F7 into the left and right front centres of item F1.
- ii. Insert item G7 into the front centre of both items G1.

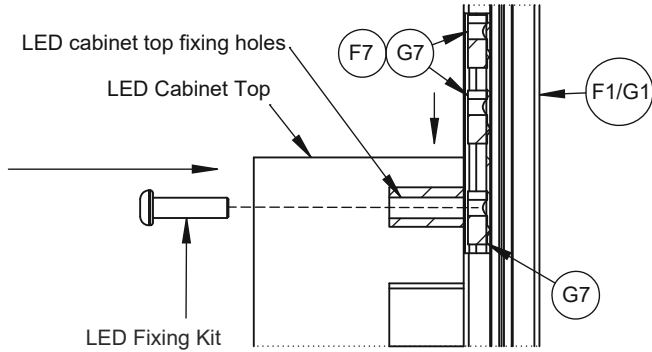


Position Sliding Nuts To Mount LED Cabinets

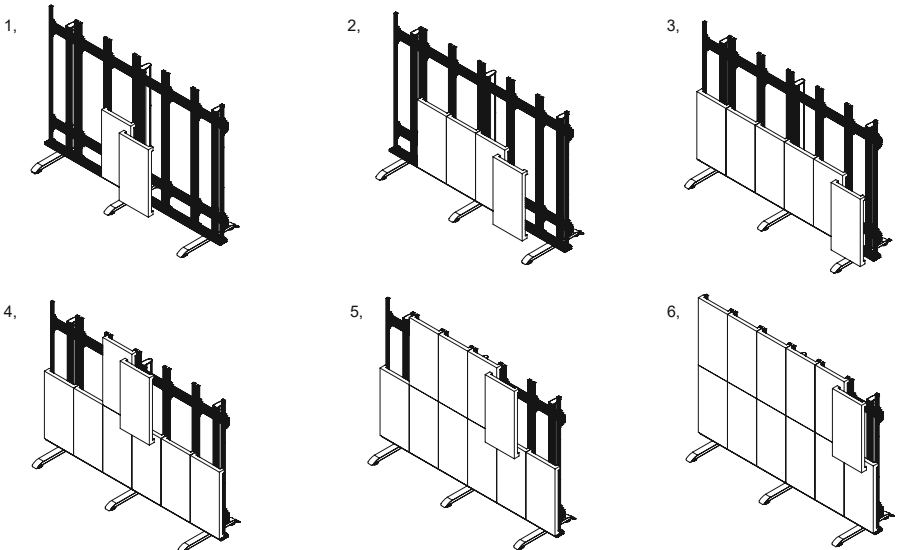
- i. Place the correct sequence LED cabinet centrally onto the bottom row ledger.
- ii. Slide down 2 of items F7/G7 until the threads are as parallel as possible to the LED cabinet bottom fixing holes.
- iii. Loosely secure the LED cabinet into position using the fixing kit provided.



- iv. Slide down the next 2 items G7 until the threads are as parallel as possible to the LED cabinet top fixing holes.
- v. Semi-tighten the four fixings to secure the LED cabinet into position.
- vi. Repeat the above steps to mount each LED cabinet until the desired width is achieved, then tighten all the fixing kit screws.

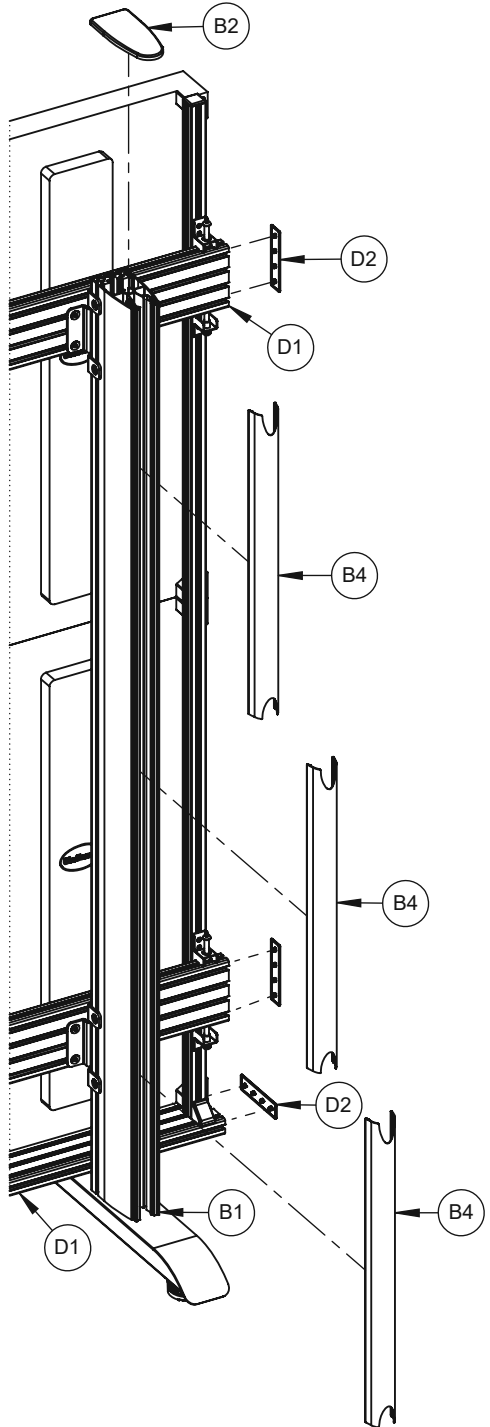


- vii. Repeat the previous steps to mount the next row of LED cabinets, until the desired height is achieved.

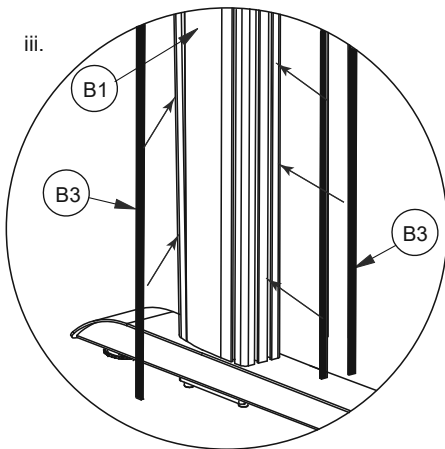


Add End Caps & Cable Management Covers

- i. Once all the LED power and data cables are connected and if possible routed down the backs of items B1, partially clip on items B4, this allows easy removal if more cables need adding. Once satisfied all cables are fitted, clip items B4 on fully.
- ii. Fit items D2 to items D1.
- iii. With a knife, cut to length items B3 and slot into the front and sides of item B1.



iii.





www.btechavmounts.com

B-TECH AV MOUNTS

HEAD OFFICE

B-Tech International Limited

Bennett House, Long March, Daventry, Northants., NN11 4NR, UK

Email: info@btechavmounts.com

©2018 B-Tech International Design and Manufacturing Limited. All rights reserved.

B-Tech AV Mounts is a division of B-Tech International Design & Manufacturing Ltd.

B-Tech, Better By Design & System X are registered trademarks of B-Tech International Design & Manufacturing Ltd.

All other brands and product names are trademarks of their respective owners.

Photographs are for illustrative purposes only. E&OE.